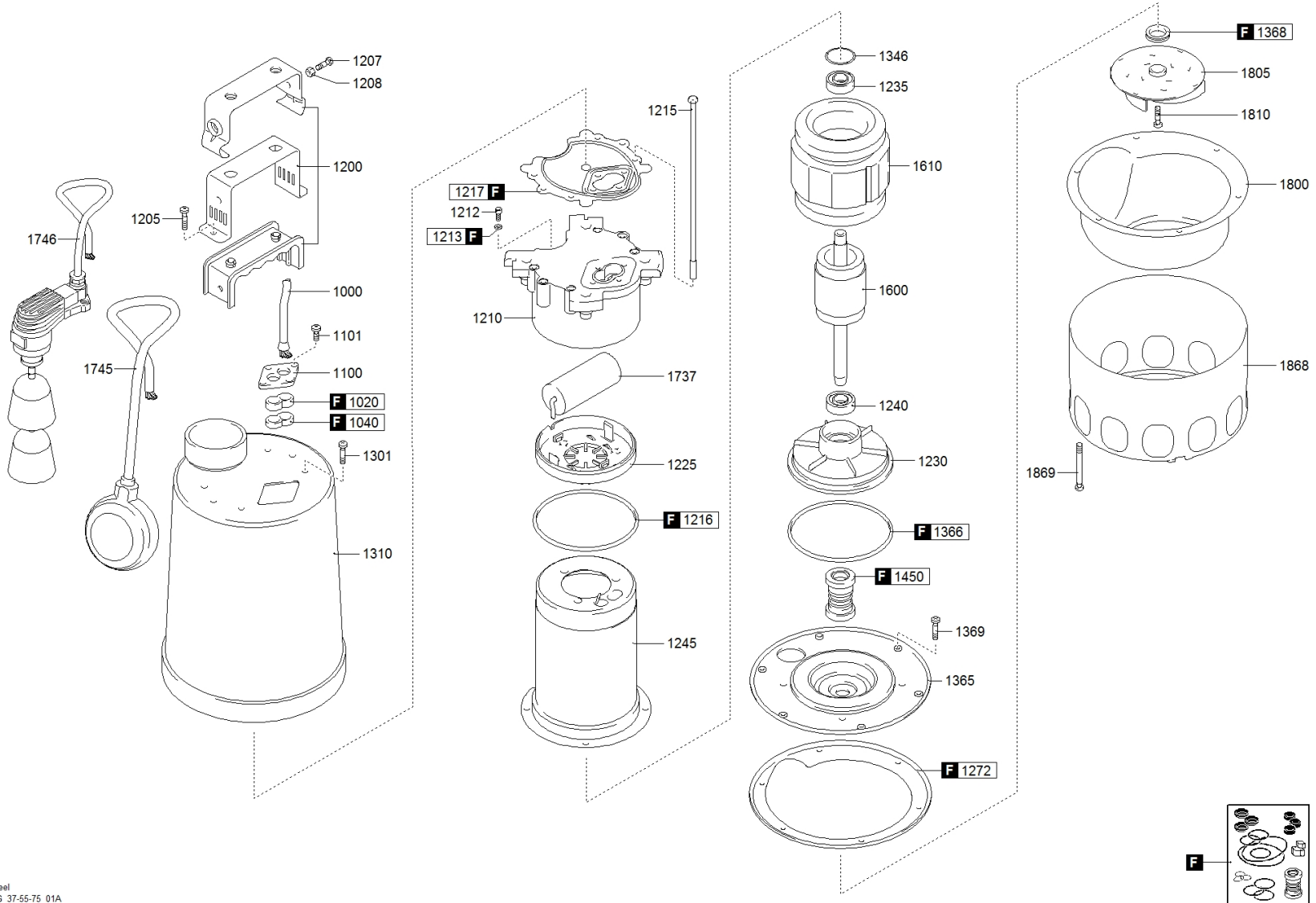




water solutions

5008.006 - DG-STEEL 37 M5 0 TG1U2300NN



Steel
DG 37-55-75 01A



water solutions



5008.006 - DG-STEEL 37 M5 0 TG1U2300NN

	Code	Description		Q.ty	Price (€)
F	608009002	MAINTENANCE KIT		1	
1000	250102304005100000	POWER CABLE		1	
1000	250102304010100000	POWER CABLE		1	
1000	250102304010700000	POWER CABLE		1	
1020	235467024241	CABLE GLAND [POWER CABLE]	805884	1	
1040	235678024236	RUBBER GASKET [POWER CABLE]	711017	1	
1100	235439070012	CABLE GLAND PLATE		1	
1200	235230470016	HANDLE		1	
1200	235260470015	HANDLE		1	
1200	235260470017	HANDLE		1	
1200	235260470018	HANDLE		1	
1205	270839840149000000	SCREW [HANDLE >> COVER]		2	
1207	270830510100700000	SCREW [HANDLE]		2	
1208	27073051941100000	NUT [HANDLE]		2	
1210	232160271010	COVER		1	
1212	270839840149000000	SCREW [GROUND CABLE]		1	
1213	271770004020000000	WASHER [GROUND CABLE]		1	
1215	270830511981271024	SCREW [COVER >> MOTOR CASE]		4	
1216	271770085040000000	GASKET [COVER >> MOTOR CASE]		1	
1217	2750700072028	GASKET [COVER]		1	
1225	230660224209	UPPER BEARING HOLDER		1	
1230	230550271022	LOWER BEARING HOLDER		1	
1235	2729062010200000	UPPER BEARING	711365	1	
1240	2729062010200000	LOWER BEARING	711365	1	
1245	231030271017	MOTOR CASE		1	
1272	2750700071029	GASKET [LOWER BEARING HOLDER >> PUMP BODY]		1	
1301	270839840149000000	SCREW - STOP RING [COOLING JACKET]		4	
1310	238130271011	EXTERNAL COOLING JACKET		1	
1346	27542031000000	WAVE SPRING		1	
1365	238631651271007	MECHANICAL SEAL FLANGE		1	
1366	271770088035000000	GASKET [LOWER BEARING HOLDER >> MECHANICAL SEAL FLANGE]		1	
1368	271770088035000000	V-RING [MECHANICAL SEAL FLANGE]		1	
1369	27073051940100000	SCREW [MECHANICAL SEAL FLANGE >> PUMP BODY]		4	
1450	230005060120000000	MECHANICAL SEAL		1	
1600	230230211271008	SHAFT WITH ROTOR		1	
1610	231101121004000000	WOUND STATOR		1	
1737	25170040000000	CAPACITOR	711020	1	
1745	254500405300000	FLOAT SWITCH		1	

1746	254505004000000	FLOAT SWITCH		1
1800	21253416500070101	PUMP BODY		1
1805	21413400630470102	IMPELLER		1
1810	270830510160700000	LOCKING IMPELLER	800323 OR 803481	1
1868	216534670105	CLOSED STRAINER		1
1869	270830510960700000	SCREW [CLOSED STRAINER >> PUMP BODY]		3